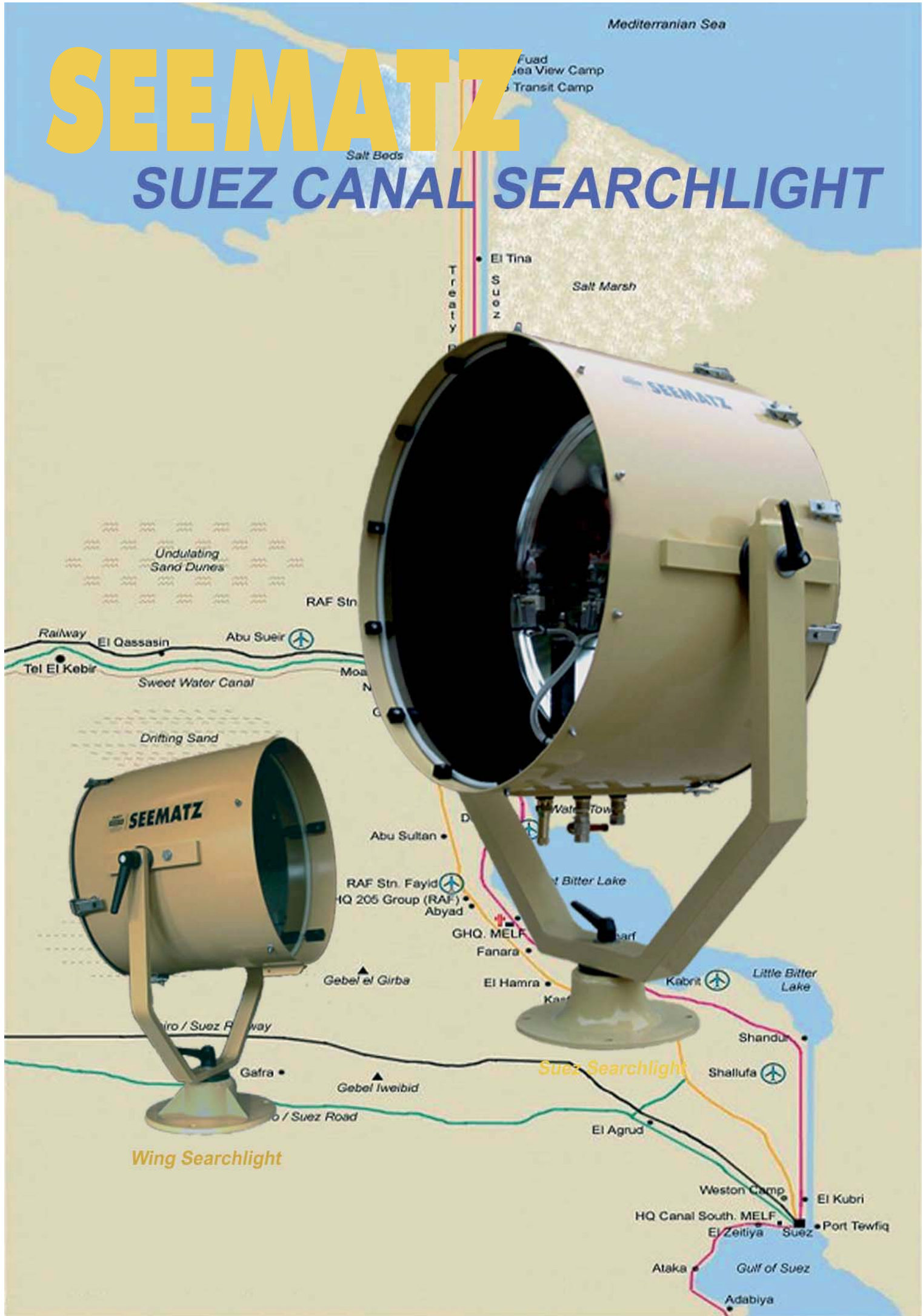


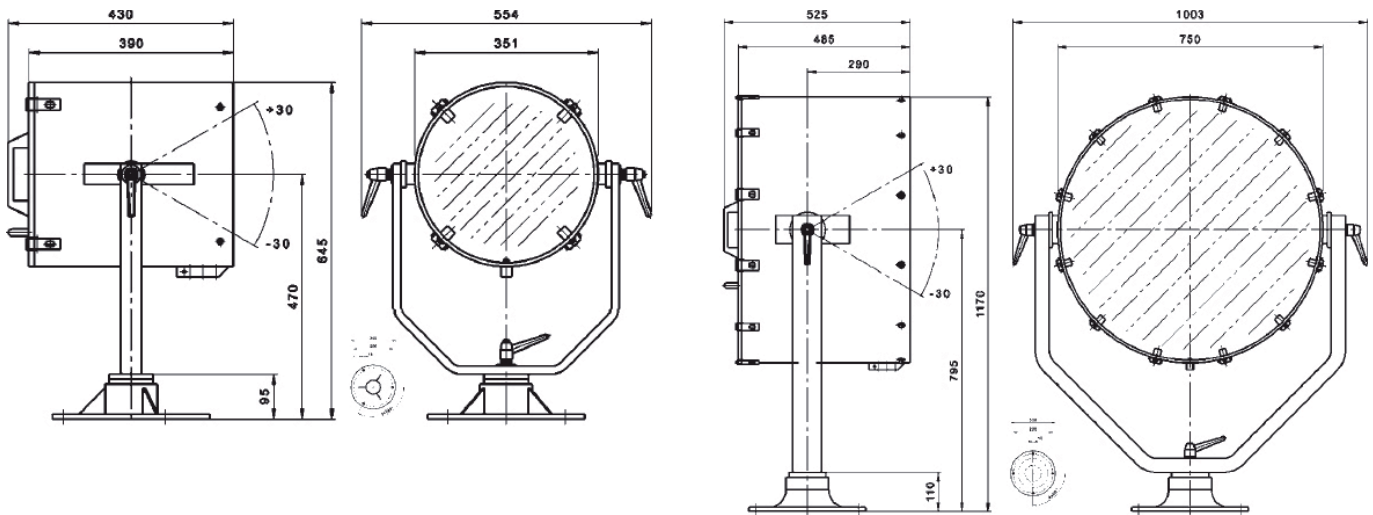
SEEMATZ

SUEZ CANAL SEARCHLIGHT



Wing Searchlight

Suez Searchlight



Art. 28 – Searchlight:

Before transiting the Canal, the vessel should be provided with a searchlight (projector) complying with the following conditions and specifications.

2.) Specifications are as follow:

- a) Minimum range of radiation of single beam 1800 m ahead (Brightness of 1 LUX approx, at the atmospheric transmission factor $T = 0,85$).
- b) The power of the lamp must give a luminous intensity of single light beam not less than 3×10^6 (3 million) candles, which is equivalent to a high efficiency incandescent lamp of:
 - I. 2000 watts for vessels up to 30000 SC.G.T.
 - II. 3000 watts for vessels over 30000 SC.G.T.
 - III. Or any kind of lamps which fulfils the specifications under item 2 and to be of the non-explosive type.

The SEEMATZ Suez Canal searchlight fulfils with 2 x 2000 W halogen lamps the rules according the SCA for every kind of vessel. Please take care to point „III” from the SCA rules. Regarding the complete standard equipment, the SEEMATZ Suez Canal searchlight can be also installed on vessels with dangerous cargo.

Certified from Lloyds Register of Shipping: HAM 601408

All aluminium parts (case mounting bow, etc.) are made of ALMg3, non magnetic. All screws are made of refined steel V2A or V4A. Fastenings for plug-in-unit are made of refined steel, F17, non corrosive. The mounting foot is made of ALMg3, non magnetic. The pressure connections and the pressure relief valve are made of brass. The reflector is made of purest aluminium 99,99%, anodized, highly polished. Following equipment is standard:

2x halogen lamp 230 V - 2000 W, 3 m cable with special plug, 3 pcs. earthing screw once at the bottom of the searchlight case, twice at the plug-in unit, air pressure joint, drain cock, safety valve (0,25 bar).

Art. 29 – Bridge Wing Projectors:

Bridge wing projectors on either side of the bridge must be fitted to show the Canal banks clearly during the transit and mooring operation, it must have following characteristics:

- Power about 4 LUX at an atmospheric transmission factor ($T = 0,74$) and minimum range 200 m

SEEMATZ offer for this following searchlight:

DS 351 HGS 230 V - 650 W

SEEMATZ searchlights, window wiper, floodlights

Pesch Marinescheinwerfer · Ortsring 2 · D-21423 Winsen / Luhe · Tel.: ++ 49 (0) 41 71 - 56 84 · Fax: ++ 49 (0) 41 71 - 5 07 65
Email: Sales@seematz.de