

SEEMATZ

Straight-Line Wiper



TROPIC Version

SEEMATZ Wiper - Tropic -

We are proud to present a new part of the SEEMATZ family. The TROPIC Wiper System combines the well known SEEMATZ quality with a very simple installation and practicable features. The key benefits are:

- Rugged SEEMATZ design
- Easy and cheap installation with standard ship cables
- Very small dimension of the Control Panel (4 Wiper control = 144 x 72 mm)
- Small Power Supply Case (4 Wiper control = 380 x 300 x 210 mm)
- Different input Powers are possible (115 or 230 VAC)
- Easy Operation
- Easy Maintenance
- Reasonable Price

Technical Features

1. Wiper Facilities:

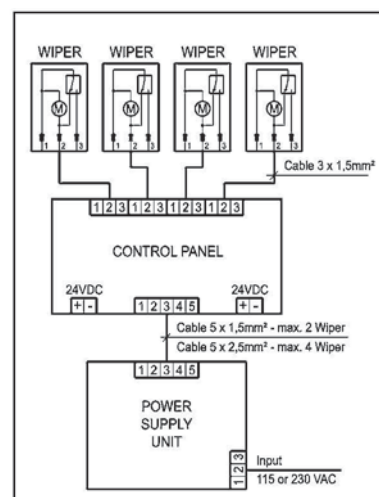
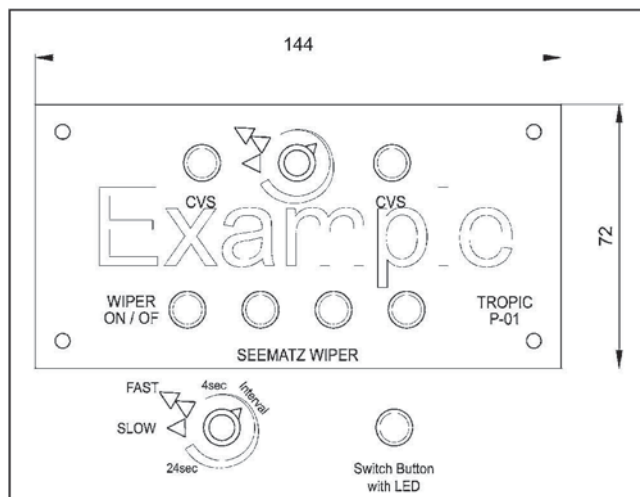
- SEEMATZ Wiper complete with Endstop, Arm made of Stainless Steel, Blade made of Aluminium. Motor 48VDC, Transport system with 4 Nylon Rolls equip with Stainless Steel ball bearings, Stainless Steel driving chain.
- Stroke up to 1525 mm
- Arm up to 700 mm
- Blade up to 1000 mm

2. Controller Facilities:

- Controlpanel black coloured with lettering in gold colour - 144 x 72 mm
- Control for max. 4 wipers via separate buttons with integreted LEDs
- Control switch for Fast and Slow speed operation
- Intermittet mode with 8 delay positions (4 – 24 sec.)
- Synchronised group wiping in intermitted mode

Options:

- up to two 24 VDC switch outputs incl. Button (to connect solenoid valves – for example)



SEEMATZ searchlights, window wiper, floodlights

Pesch Marinescheinwerfer · Ortsring 2 · D-21423 Winsen / Luhe · Tel.: ++ 49 (0) 41 71 - 56 84 · Fax: ++ 49 (0) 41 71 - 5 07 65

Email: Sales@seematz.de